

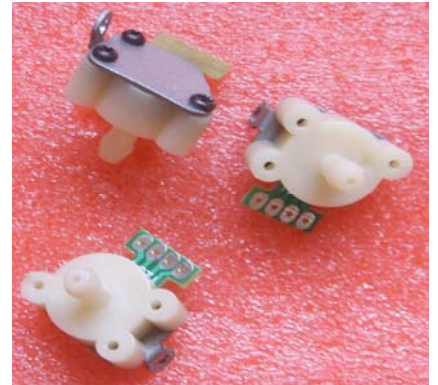


USTP100-A Series tire air compressor (tire inflator) sensor

DESCRIPTION

The USRTP100-A Assembly pressure sensor including **USTP100-A**
 +**METAL MOUNTING** +**ABS PLASTIC HOUSING**+**O’RING**
 +**WIRE**+... ,

This pressure sensor is intended for tire air compressor (tire inflator) or disposable pressure monitors.



FEATURES

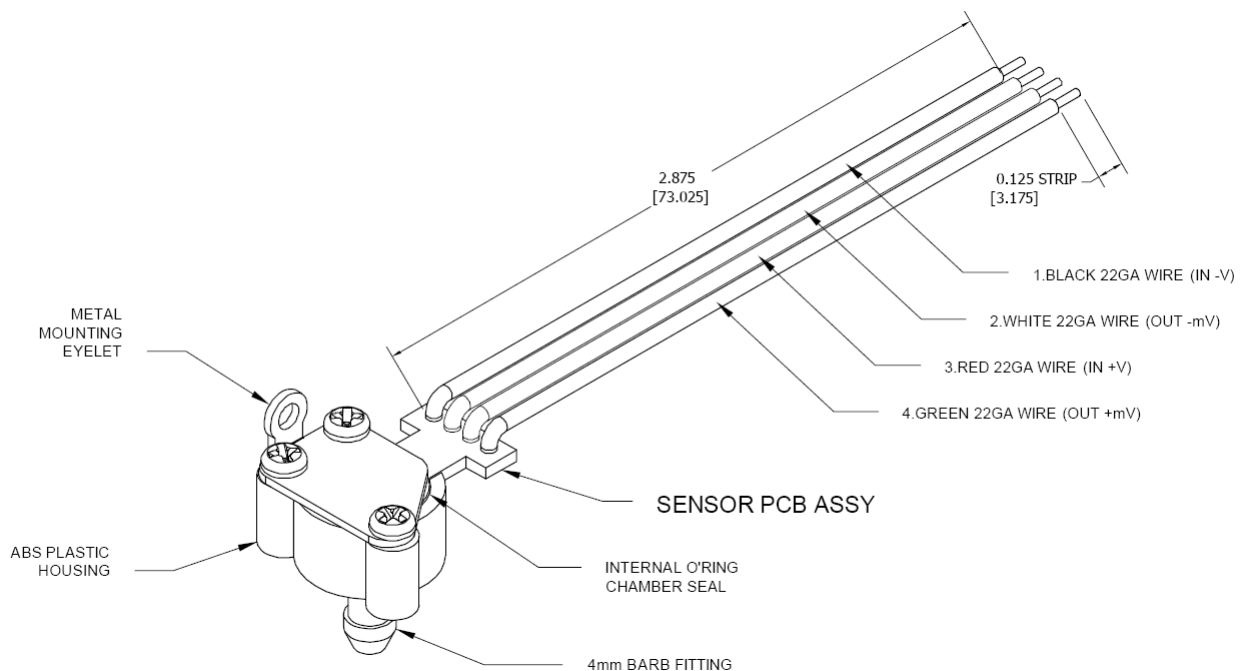
- Competitive price
- Easy to use
- Solid-state reliability
- Operating temperature range: -20°C to +85°C

APPLICATIONS

- Automotive Tire Pressure air compressor
- Digital Pressure Gauges Consumer & Sports Pressure Switches and Controllers

HOW TO ORDER

- Part Number USTP100-A(Assembly)
- Description US9072-100A-PCB +METAL MOUNTING +ABS PLASTIC HOUSING +O’RING +WIRE+...





USTP100-A Series tire air compressor (tire inflator) sensor

Specifications

Type of pressure	Absolute type or gauge type			
Pressure medium	Clean, dry air & no corrosive gases			
	Min	Nominal	Max	Unit
Excitation Voltage	--	5	10	V
Excitation Current	--	1.00	2.00	mA
Bridge Impedance	4	5	6	co
Span ¹ 100psi	75	100	125	mV
Offset	-30	±10	+30	mV
TC Span ²	-0.17	-0.22	-0.27	%FS/°C
TC Offset ²	-0.08	-0.02	+0.08	%FS/°C
Linearity ³	-0.3	±0.05	+0.3	%FS
Hysteretic	-0.3	±0.1	+0.3	%FS
Proof pressure			2x	Rated Fs
Burst pressure ⁴			3x	Rated Fs
Operating Temperature	-40		+125	°C
Storage Temperature	-55		+150	°C

1. Unless otherwise specified, span is measured at 5.0V Constant Voltage supply at 25°C. Sensor outputs a positive signal when diaphragm deflects downward.
2. Measured from 0°C to 50°C @ 5V Constant voltage excitation.
3. Defined as best straight line.

